



LASTEC®

Manufacturer of the
World's Only High-Definition
Articulating Mowers

TURF/COMMERCIAL MODEL 100EFD



The Model 100EFD delivers amazing productivity at a price point that is a fraction of other options available on the market.

Since Lastec's introduction of articulating rotary mowers in 1990, the turf industry hasn't had to accept the turf damage caused by wide area decks. Lastec Articulators all cut with the quality of a small push mower no matter how wide you need to cut. The Model 100EFD is no exception, delivering a 100" (254 cm) wide cut with the accuracy of five 21" (533.4 mm) push mowers.

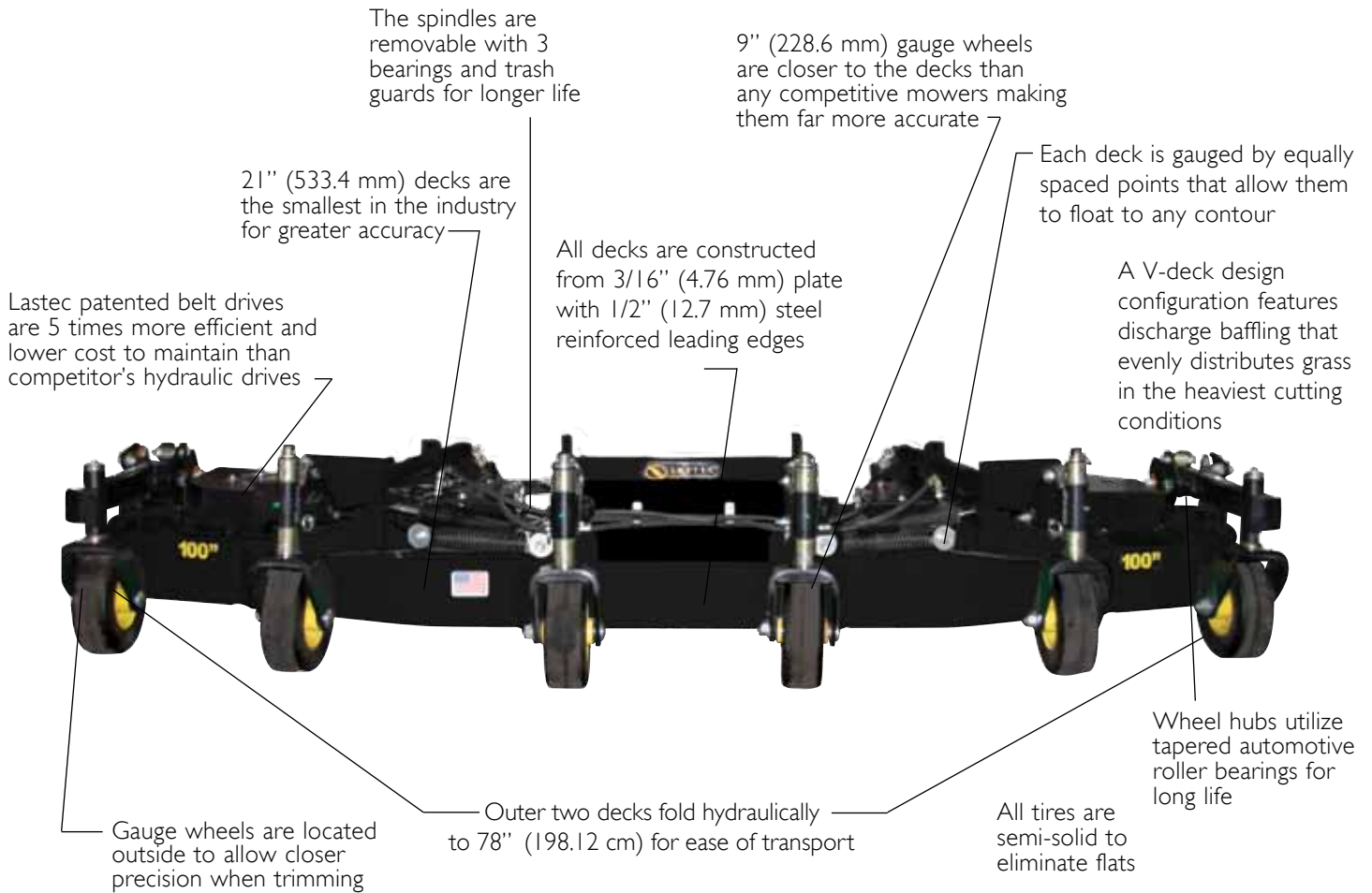
In addition to John Deere, this versatile model mounts to a variety of other tractors and delivers a cut so accurate that a whole new term describes it...High Definition Mowing.



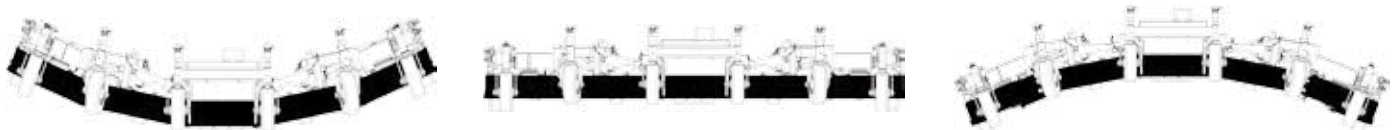
LASTEC

Manufacturer of the
World's Only High-Definition
Articulating Mowers

TURF/COMMERCIAL MODEL 100EFD



Quality Rotary Mowers for a World that isn't Flat



100EFD SPECIFICATIONS*

- Tractor Requirements: John Deere I565 minimum 35 hp (26.09 kW)
PTO Standard Category I Three-point hitch
- Cutting Width: 100" (254 cm)
- Transport Width: 78" (198.12 cm)
- Deck Configuration: Five 21" (533.4 mm) Fully Articulating
- Deck Height Range: 1" to 4 3/4" (25.4 mm x 120.65 mm)
- Overall Weight: 1065 lbs (483 kg)



Raises and folds to 78" (198.12 cm)

U.S. Patent Nos. 6,065,274
6,205,754

*All specifications subject to change without notice

+44 1622 812 103
Fax: + 44 1622 815 534
www.lastec.co.uk